

F4 T PO IP

POLE-OPERATED TUNGSTEN FRESNEL SPOTLIGHT - IP65



FEATURES

- ▶ Fresnel spotlight with Tungsten LED, 3,200 K
- ▶ 24,000 lm luminous flux replaces conventional 2 kW halogen Fresnel spotlights
- ▶ IP65-certified for permanent outdoor use
- ▶ Pole-operated for efficient use in different environments (TV studios, etc.)
- ▶ Natural colour reproduction (CRI: 94, TLCI: 93)
- ▶ Continuous zoom range from 14° to 43°
- ▶ Flicker-free camera images thanks to selectable pulse width modulation frequencies up to 25 kHz
- ▶ Selectable 16-bit dimmer curves for smooth dimming
- ▶ 8-way barn door and colour filter frame included
- ▶ Highly efficient cooling system and silent mode for noise-free operation

DESCRIPTION

It can be challenging with ever-changing weather conditions to do concerts or film & TV productions outdoors. In order to still rely on the warm light of a zoomable Fresnel spotlight here, there's the dust- and splash water-protected, IP65-certified F4 T PO IP spotlight by Cameo. It is pole-operated making it easy to adjust from the ground.

The F4 T PO IP from the Cameo F Series is a natural light specialist with a CRI value of 94 and a TLCI of 93. The precise 250 mm Fresnel glass lens with a continuous zoom lets you keep control over the 24,000 lm warm white light, whether you use it to shine the spotlight right down on performers, speakers or objects or apply it as area lighting for entire scenes and surfaces.

A low-maintenance, pole-operated LED Tungsten spotlight with warm light reproduction, which remains fully usable even outdoors, thanks to IP65 - a real work relief for fast and natural illumination.



Features and specifications
subject to change without notice.

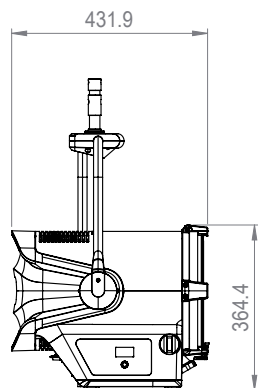
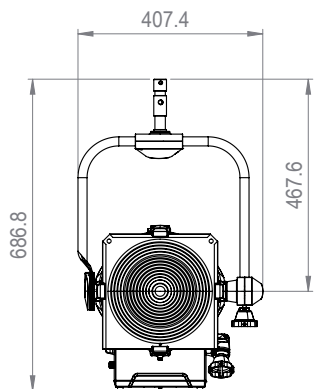
adamhall.com

F4 T PO IP

POLE-OPERATED TUNGSTEN FRESNEL SPOTLIGHT - IP65



TECHNICAL DRAWING



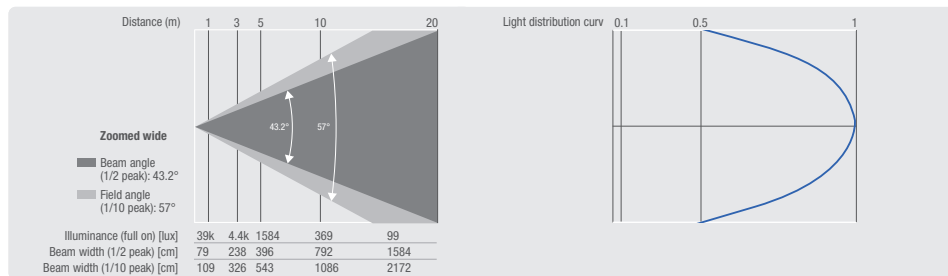
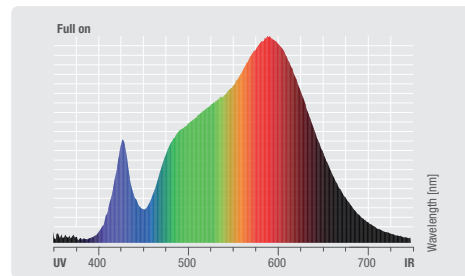
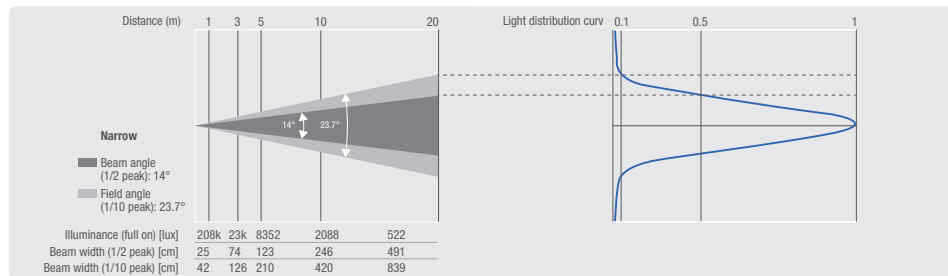
SPECIFICATIONS

Product type	LED Fresnel Spotlight
Type	Theater Fresnel
Colour spectrum	Tungsten
Colour temperature	3200 K
Number of LEDs	1
LED type	520 W (approx. 50,000 operating hours)
LED PWM Frequency	600 Hz, 1200 Hz, 2000 Hz, 4000 Hz, 6000 Hz, 25000 Hz
Dispersion	Beam Angle: 14 - 43 °, Field Angle: 24 - 57 °
Lens	250 mm Fresnel
DMX input	5-Pol
DMX output	5-Pol
DMX Functions	Device Settings, Dimmer, Dimmer Curve, Dimmer Fine, strobe
Standalone modes	Master / Slave mode, Static
Controls	Push encoder
Indicators	OLED Display
Operating voltage	100 V AC - 240 V AC, 50 - 60 Hz
Power consumption	460 W
Power connector	TRUE1 compatible Power I/O sockets
Power supply connection	TRUE1 Compatible Power I/O Socket
Housing material	Die-cast aluminium
Cabinet colour	Black
Protection class IP	IP65
CRI	94
Cooling	Combination of heat pipe and temperature controlled fan
Luminous flux	24000 lm
Efficiency	54 lm/W
Operating Temperature	-15 - 45 °C

Dimensions without Mounting Bracket

Width	433 mm
Height	420 mm
Length	531 mm
Weight	22 kg

PHOTOMETRICAL DATA



Features and specifications subject to change without notice.

adamhall.com