

# CDD-LIVE 8

Ultra-compact Coaxial Differential Dispersion System – Powered



## Features

- Ultra-compact, self-powered two-way system
- Coaxial Differential Dispersion™ technology
- Onboard Class D amplification and DSP
- Dante™ Digital Audio networking
- Global mains operation with Power Factor Correction
- User-rotatable CDD™ driver
- Vertical and horizontal mounting options
- Tour-grade, multi-angle plywood enclosure
- IP24 rating option with rain cowl
- Comprehensive mounting accessories

## Applications

- Live sound reinforcement
- Theatre sound
- Corporate AV events
- Fixed installations in concert halls, ballrooms and HoW
- Stage monitor and sidefill
- Bars and clubs
- Frontfill/infill



The CDD-LIVE 8 is an ultra-compact, self-powered, two-way system featuring an 8" (200mm) LF/1" (25mm) exit HF Coaxial Differential Dispersion driver which can be easily rotated for horizontal or vertical orientation. Its small size gives no indication of its high output capability and exceptional fidelity. As a stand-alone loudspeaker, it has a multitude of professional applications — from small-medium scale sound reinforcement, AV presentations and HoW to distributed systems, frontfill/infill and use as a micro stage monitor.

With wide coverage close-up, the Coaxial Differential Dispersion technology employed in the CDD- LIVE 8 delivers more consistent audience coverage than systems with fixed X° x Y° coverage patterns, and its innovative CDD driver achieves 'point source' summation of the LF and HF sections — eliminating off-axis variations in frequency response associated with non-coaxial designs.

A self-powered system, the CDD-LIVE 8 incorporates a two-channel Class D amplifier, DSP and Dante™ digital audio networking — simplifying set-up, enhancing control and eliminating amplifier racks. The onboard amplifier delivers 1000W LF + 300W HF peak output to the drivers, and its switched-mode power supply auto-ranges to global mains voltages from 100 to 240V 50/60Hz.

DSP functions — including parametric EQ, delay, muting, gain and preset selection — can be controlled over Ethernet from a PC or Windows® tablet via intuitive VU-NET™ proprietary software.

For simple set-ups, 'plug-and-play' presets — as well as a user-defined preset — can be selected on the rear panel, instead of using computer control. As an alternative to its analogue inputs, the CDD- LIVE 8 is Dante enabled for digital audio distribution and control over a single CAT5 cable to maintain audio quality however long the cable run.

The CDD-LIVE 8 is incredibly versatile. Its multi-angle enclosure can be used in either horizontal or vertical orientation, with rotation of the driver easily accomplished by removing the screw-free, protective grille. The tour-grade enclosure is constructed from multi-laminate plywood and finished in a hard-wearing polyurea coating. Integral fittings include a top-hat for pole mounting and multiple M8 inserts for attachment to a wall-bracket, yoke or universal bracket with a wide range of up and down tilt angles.

# CDD-LIVE 8

## Ultra-compact Coaxial Differential Dispersion System – Powered



### Technical Specifications

#### Acoustics

TYPE	Ultra-compact, Coaxial Differential Dispersion powered two-way system
FREQUENCY RESPONSE (1)	70Hz – 20kHz $\pm 3$ dB, -10dB @ 50Hz
DRIVER	LF: 8" (200mm)/2" (50mm) voice coil, long excursion, shared ferrite motor system with HF HF: 1" (25mm) exit/1.4" (38mm) voice coil, polyimide dome compression driver
INPUT SENSITIVITY	-13dBu for 100dB SPL
MAXIMUM SPL (2)	117dB continuous / 123dB peak
DISPERSION	110°-80° horizontal, 60° vertical (user-rotatable)
CROSSOVER	2.4kHz Active LR8
	Balance presets for pole mount/ pole mount with sub/ stage monitor

#### Module

##### Audio input

CONNECTORS	Female XLR input, male XLR link output, Dante Audio Neutrik® Ethercon
ANALOGUE INPUT IMPEDANCE	20 k $\Omega$ balanced to ground
MAXIMUM ANALOGUE INPUT LEVEL	24.6 Vpp (+21dBu), over voltage protected

##### Internal Processing

	Multi-channel DSP, programmable via TCP/IP using VU-Net software
	PEQ/shelving filters
	Up to 48dB/Oct HPF
	Low latency HF FIR filters
	Up to 200ms input delay
	Pre-set selection via rear panel switch

##### Network

CONNECTORS	2x Neutrik® EtherconRJ45
PROTOCOL	TCP/IP and UDP/IP

##### Amplifier Module

TYPE	2 channel switch-mode, class D
PEAK OUTPUT POWER	1300W
CONTINUOUS OUTPUT POWER	650W total
AVERAGE EFFICIENCY	89%
COOLING	External convection cooled, with internal fan
MAXIMUM AMBIENT TEMPERATURE	40°C (104°F) for full output

##### Power Supply

TYPE	Switch mode, fixed frequency with PFC
AC INPUT OPERATING RANGE	85 – 265V ~ AC, 50 - 60Hz
POWER FACTOR	> 0.98
NOMINAL POWER CONSUMPTION	550W
MAINS CONNECTOR	Neutrik® Powercon True1

##### Mechanical

ENCLOSURE	Extensively braced multi-laminate plywood.
FINISH	Textured black PU coating.
PROTECTIVE GRILLE	HEX perforated mild steel with protective zinc plating and black powder coat finish. Backed with black grille cloth
FITTINGS	Top hat for pole mounting 15 x M8 mounting points Single pocket handle Optional weather protection cowl
IP RATING	IP24 factory option available
DIMENSIONS	(W) 258mm x (H) 428mm x (D) 254mm (W) 10.16in x (H) 16.85in x (D) 10.00in
WEIGHT	14kg (30.8lbs) excluding Transit cover
ACCESSORIES	Transit Cover Optional wall, yoke and universal brackets

#### Notes

- (1) Measured on-axis in free space (4 $\pi$  space) at 2 metres, then referred to 1 metre
- (2) Measured in free space at 1 metre with a tone burst signal
- (3) Measured on-axis on ground plane (2 $\pi$  space) at 2 metres, then referred to 1 metre
- (4) Measured in half-space at 1 metre with a tone burst signal

#### Trade Descriptions Act

Due to Martin Audio's policy of continuing improvement, we reserve the right to alter these specifications without prior notice. Martin Audio is committed to refining state of the art sound reinforcement, combining in-depth product and field applications research with advanced manufacturing techniques. Every Martin Audio product is built to the highest manufacturing standards and rigorously tested to ensure that it meets the performance criteria specified in the design.

### Architectural Specifications

The loudspeaker shall be a self-powered two-way system utilising Coaxial Differential Dispersion technology. Its transducers shall consist of a reflex-loaded 8" low frequency driver and a coaxially-mounted 1" exit high frequency compression driver loaded by a static waveguide that merges with moving waveguides added to the cone of the low frequency driver to define the HF horn geometry.

The coaxial driver shall be user-rotatable to enable vertical or horizontal operation as required by the application. Horizontal dispersion shall vary from 110° to 80° and vertical dispersion shall be 60°. The on-axis frequency response shall be 70Hz-20kHz  $\pm$  3dB and the loudspeaker shall produce a maximum SPL of 123dB peak at 1 metre.

The loudspeaker shall incorporate a two-channel Class D amplifier module which shall deliver a total of 1300W peak output to the transducers and include onboard DSP and networking capabilities for remote control and monitoring. The loudspeaker shall be Dante™ enabled for Audio over IP. Its power supply shall employ Power Factor Correction and operate from 100-240V, 50-60Hz AC.

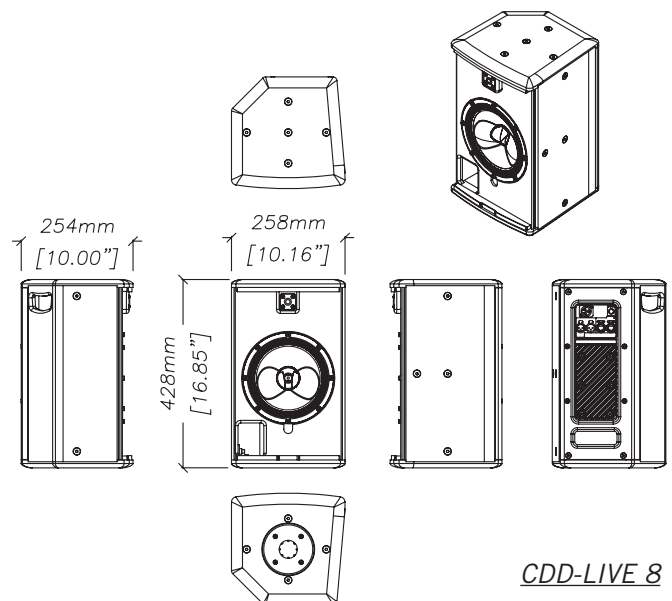
Audio connectors shall be male and female XLR type and the AC power connector shall be a Neutrik® Powercon True1. Network connectors shall be Neutrik® Ethercon RJ45 type.

The loudspeaker enclosure shall be constructed from multi-laminate plywood with a textured polyurea coating. The drivers shall be protected by a perforated steel grille with scrim cloth backing and the enclosure shall be fitted with a pole-mount socket and threaded inserts for mounting accessories.

An IP24 rating version with a rain cowl shall be available as a factory option.

Dimensions (W x H x D) shall be 258mm x 428mm x 254mm (10.2in x 16.8in x 10.0in). Weight shall be 14kg (30.8lbs).

The loudspeaker shall be the Martin Audio CDD-LIVE 8.



CDD-LIVE 8

Martin Audio Ltd

Century Point, Halifax Road, High Wycombe  
Buckinghamshire HP12 3SL, England

Telephone: +44 (0) 1494 535 312  
Email: info@martin-audio.com

All information is Copyright © 2016 Martin Audio Ltd.



www.martin-audio.com